

# AURORALIGHT

PROJECT: \_\_\_\_\_

SKU #: \_\_\_\_\_

TYPE: \_\_\_\_\_

## MARINER

HPD0161590000

The Mariner downlight is the longest production luminaire in our product line. Continual upgrades over its lifetime since 1996 ensure the Mariner is always at the top of its game.

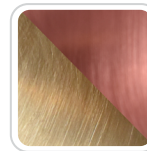
- Hermetically Sealed Assembly
- Thermally regulated for peak performance
- Solid brass and copper construction
- Ideal for trees, patios and architectural features



### CONFIGURATOR:

HPD0161590000	FINISH
<b>( ) = Most common configuration</b>	<input type="checkbox"/>
	<b>(NAT) Natural Brass</b>
	<b>(BLP) Bronze Living Patina</b>
	<b>(BLPX) Extra Dark BLP</b>
	<b>(NI) Nickel PVD</b>

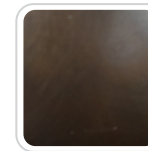
### AVAILABLE FINISHES:



**NAT**  
Natural Brass/  
Copper



**BLP**  
Bronze Living  
Patina



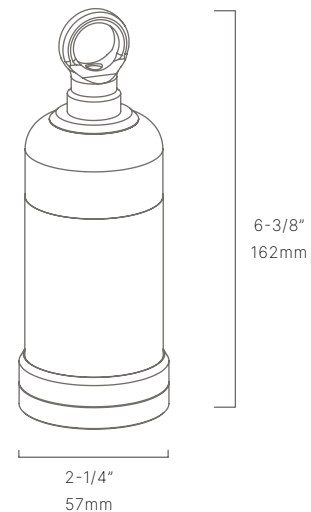
**BLPX**  
Extra Dark Bronze  
Living Patina



**NI**  
Nickel PVD

FIXTURE DIMENSIONS	L6-3/8" x D2-1/4"
LIGHT SOURCE	MR16 Base, Not Included
VOLTAGE	12V
TRANSFORMER	12V AC/DC (Supplied by others)
MOUNT	Included Safety Cable & 1/2" NPS Ring
ACCESSORIES	Yes, Not Included
FINISH	Included Natural
MATERIAL	Brass & Copper
WIRE LENGTH	24"
LOCATION	Exterior Wet
CERTIFICATIONS	UL, IP66, IP67

\*For complete warranty terms, please visit: [www.auroralight.com/warranty/](http://www.auroralight.com/warranty/)



P. 760.931.2910

O. 2742 Loker Ave. W Carlsbad CA 92010

W. [www.auroralight.com](http://www.auroralight.com)

MADE IN USA  
WITH DOMESTIC & IMPORTED MATERIALS



# AURORALIGHT

PROJECT: \_\_\_\_\_

SKU #: \_\_\_\_\_

TYPE: \_\_\_\_\_

## ADD-ONS

### ACCESSORIES

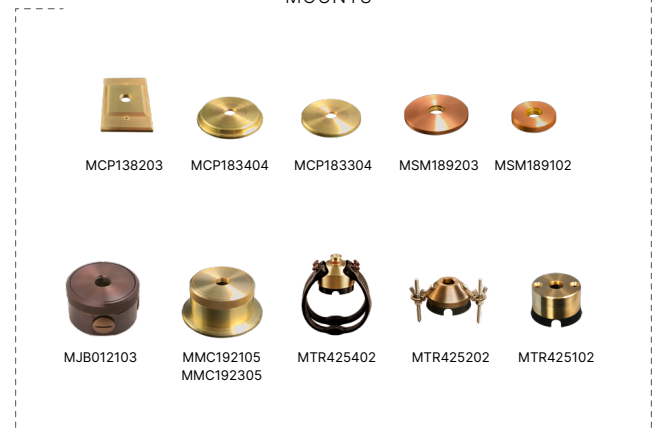
BCH018	18" Brass Chain
BCH036	36" Brass Chain

### MOUNTS

MJB012103	Surface Mount J-Box
MSM189102	2" Surface Mount
MSM189203	3" Surface Mount
MCP183203	3-1/2" Cover Plate
MCP183304	4" Cover Plate
MCP183404	4-1/2" Cover Plate
MMC192105	4-1/2" Mount Canopy
MMC192305	4-1/2" Power Canopy
MTR425402	36" Heavy Duty Tree Strap
MTR425102	Screw-in Tree Mount
MTR425202	Bolt-on Tree Mount

\*For complete details, please visit [auroralight.com/mounts/](http://auroralight.com/mounts/)

### MOUNTS



P. 760.931.2910

O. 2742 Loker Ave. W Carlsbad CA 92010

W. [www.auroralight.com](http://www.auroralight.com)

MADE IN USA  
WITH DOMESTIC & IMPORTED MATERIALS

